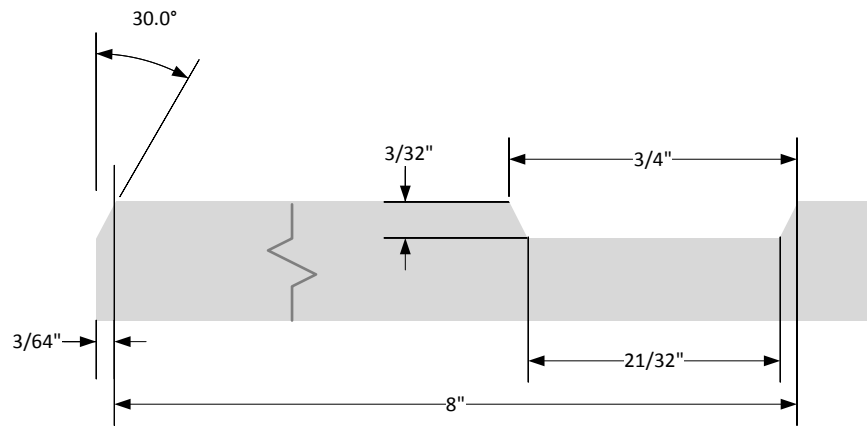
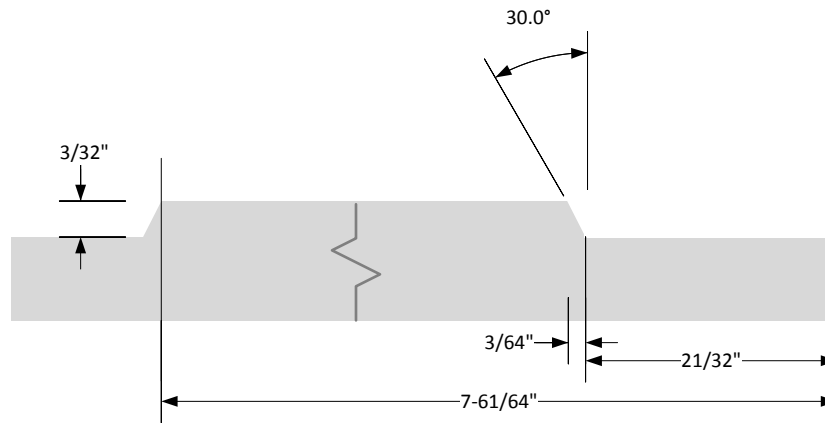


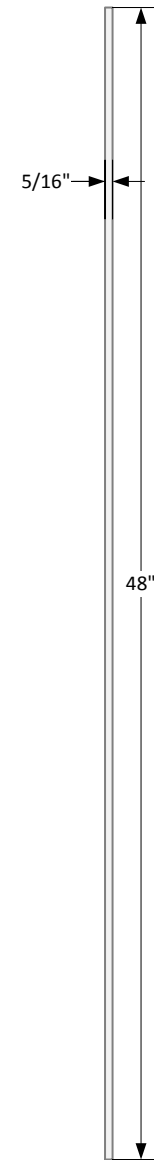
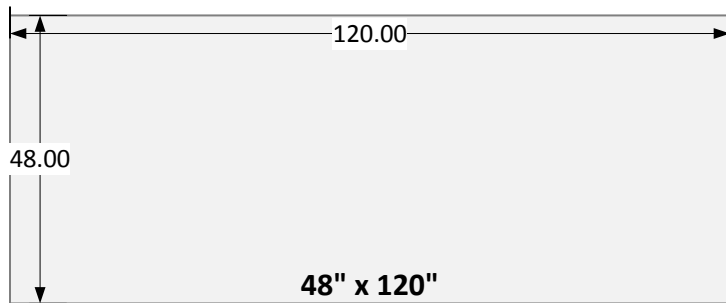
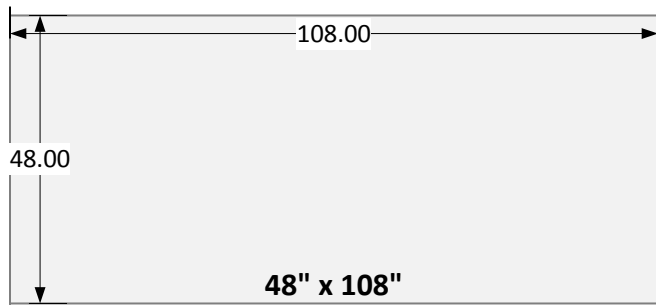
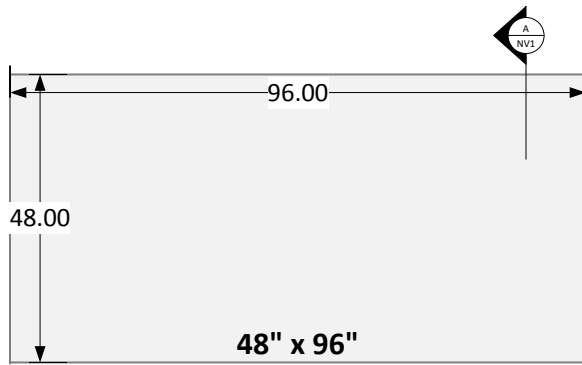
1 HARDIEPANEL VERTICAL SIDING SIERRA 8
S8PL SCALE = 1/16 : 1



A EMBOSsing DETAIL
S8PL



B EMBOSsing TERMINATION
S8PL



1
PL1
HARDIEPANEL SELECT CEDARMILL, SMOOTH, STUCCO
 SCALE = 1/32 : 1

A
PL1
PANEL SECTION
 SCALE = 1/8 : 1